

PRORIL

50Hz

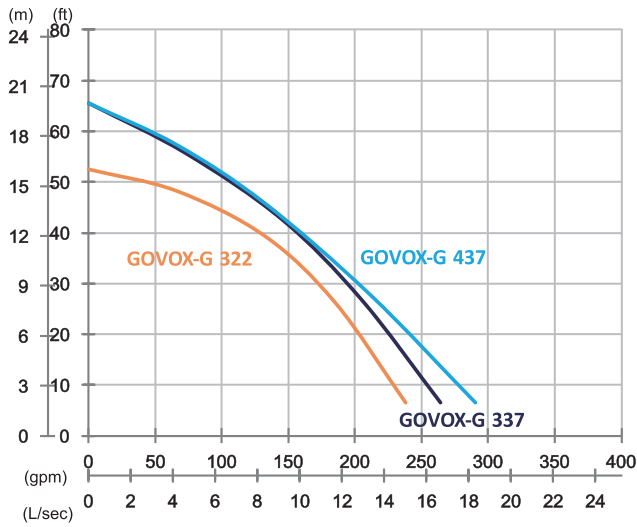
GOVOX-G Series, these vortex pumps feature a less impeller wear and longer pump life by a vortex flow that allows fibrous materials and solid matters to be pumped out without obstruction.

Sewage Pump

GOVOX-G 322/337/437

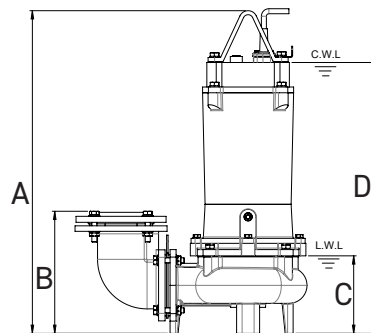
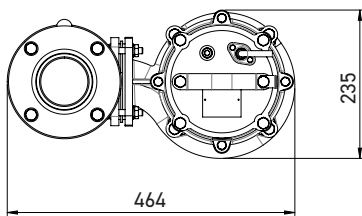
Vortex Pump





	GOVOX-G 322	GOVOX-G 337	GOVOX-G 437
OUTPUT	2.2 kW (3 HP)	3.7 kW (5 HP)	3.7 kW (5 HP)
OUTLET	3" (80 mm)	3" (80 mm)	4" (100 mm)
SOLID PASSAGE	47 mm	52 mm	52 mm
Weight	60 kg	64 kg	64 kg
HEAD	Rated: 12 m Max: 15.5 m	Rated: 13 m Max: 20 m	Rated: 14 m Max: 20 m
FLOW	Rated: 8.3 L/s Max: 15.8 L/s	Rated: 8.3 L/s Max: 16.7 L/s	Rated: 8.3 L/s Max: 18.3 L/s

Pump Type		Electric Submersible Pumps
Motor	Phase	3-Phase
	Type	Induction Motor
	Poles	2 Pole (2850 rpm)
	Insulation	Class F
	Protector	Circle Thermal Protector
	Starter	D.O.L.
Lubricant		Food Grade (ISO VG32)
Specs.	Impeller Type	Vortex
	Shaft Seal	Double Mechanical Seal
		Silicon Carbide VS Ceramic/Carbon
	Bearings	C3 Shielded ball bearings
	Cable	H07RN-F 10 m or longer upon request
Materials	Pump Casing	Gray Iron
	Impeller	Gray Iron
	Motor Frame	Gray Iron
	Motor Shaft	Stainless Steel
Max. Liquid Temperature		40°C (104°F)
Max. Submersion Depth		20 m (66 ft)
pH Range		pH 5 - pH 8
Guide Rail		GRF-03 (322/337)/GRF-04 (437)



	A	B	C	D
GOVOX-G 322	645	244	155	542
GOVOX-G 337	645	244	155	542
GOVOX-G 437	645	253	153	540

unit : mm
C.W.L : Continuous running water level
L.W.L : Lowest running water level